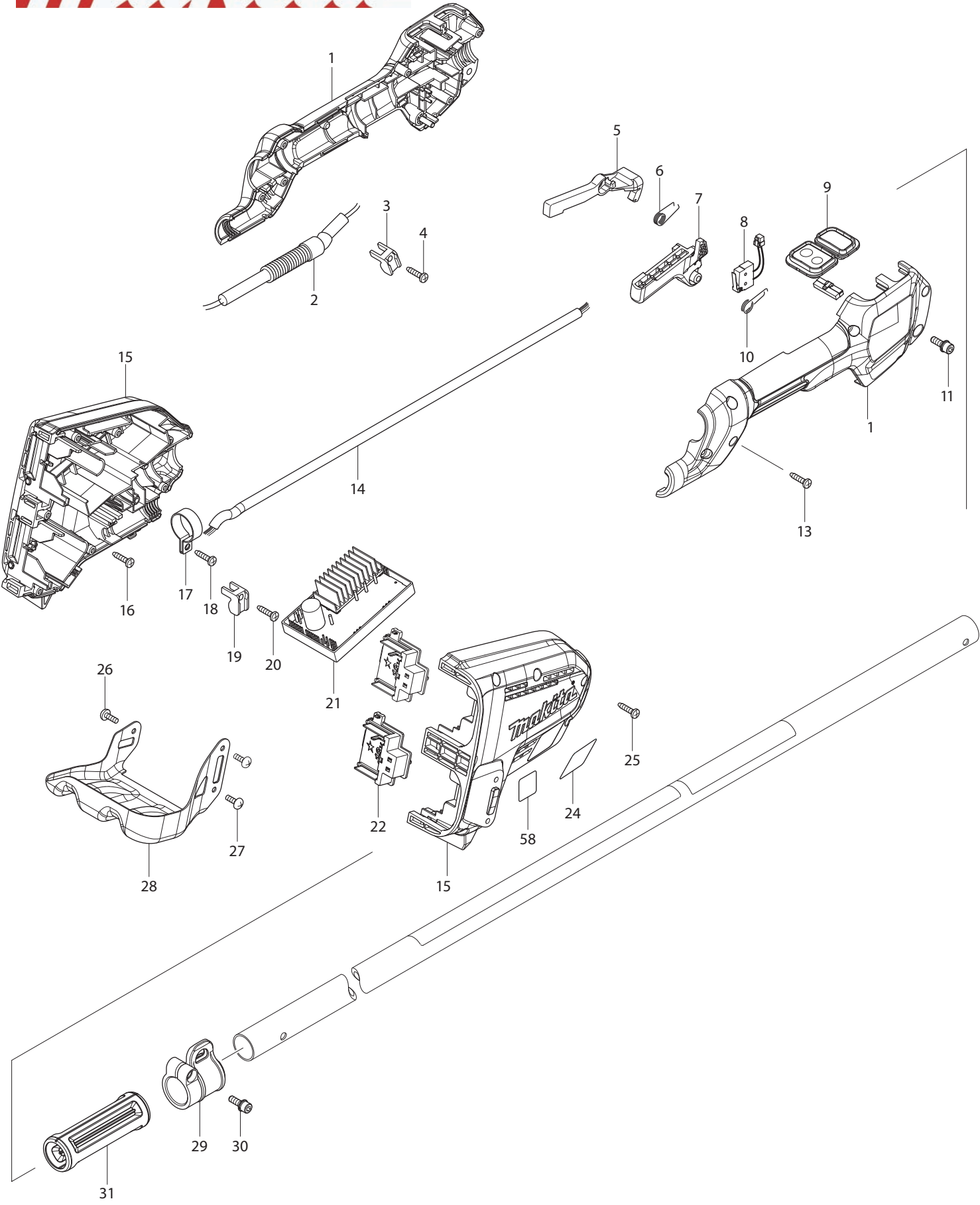
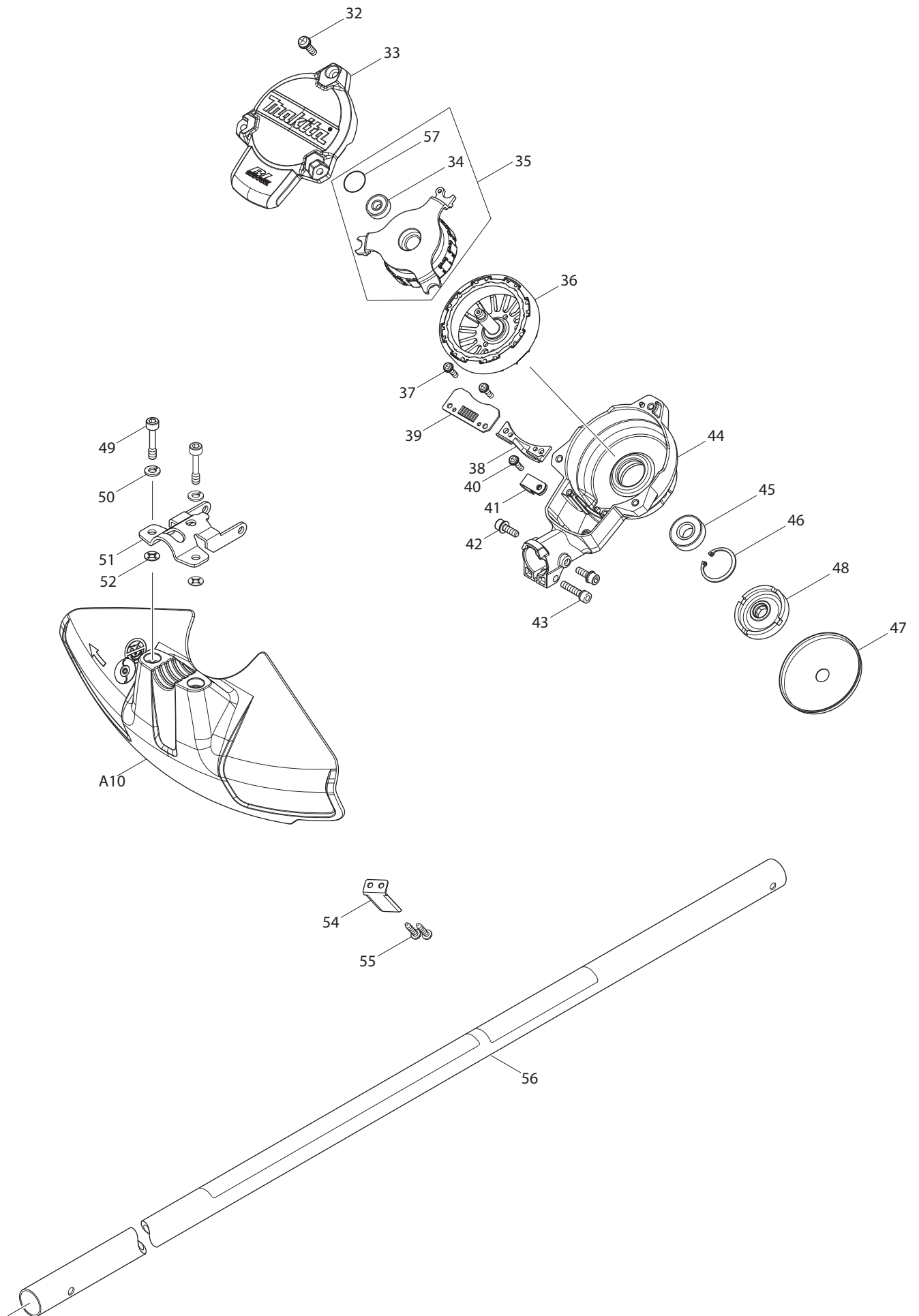




12 - 2014
DUR364LZ
18VX2 BL 12" LINE TRIMMER





Item No.	Type	Sub	Part No.	Description	Qty	Unit
001			183A19-1	GRIP SET	1	PC.
002			699068-7	POWER SOPPLY CORD UNIT	1	PC.
003			687261-5	STRAIN RELIEF	1	PC.
004			266326-2	TAPPING SCREW 4X18	1	PC.
005			455629-1	LOCK OFF LEVER	1	PC.
006			233621-5	TORSION SPRING 9	1	PC.
007			455625-9	SWITCH LEVER	1	PC.
008			632E26-0	SWITCH UNIT	1	PC.
009			143040-6	SUB CONTROLLER COMPLETE	1	PC.
010			233612-6	TORSION SPRING 10	1	PC.
011			922228-9	H.S.H.BOLT M5X18 WITH WR	1	PC.
013			266326-2	TAPPING SCREW 4X18	6	PC.
014			699067-9	POWER SUPPLY CORD UNIT	1	PC.
015			183A64-6	HOUSING SET	1	PC.
		INC.	263005-3	RUBBER PIN 6	4	PC.
016			266326-2	TAPPING SCREW 4X18	3	PC.
017			346248-3	CLAMP 24	1	PC.
018			266326-2	TAPPING SCREW 4X18	1	PC.
019			687261-5	STRAIN RELIEF	1	PC.
020			266326-2	TAPPING SCREW 4X18	1	PC.
021	2		144367-7	* CONTROLLER COMPLETE	1	PC.
022			644808-8	TERMINAL	2	PC.
024			850N97-1	NAME PLATE F/DUR364L	1	PC.
025			266326-2	TAPPING SCREW 4X18	7	PC.
026			251314-2	+ SCREW M4X12	1	PC.
027			251314-2	+ SCREW M4X12	2	PC.
028			346858-6	BATTERY GUARD	1	PC.
029			168478-4	HANGER	1	PC.
030			922228-9	H.S.H.BOLT M5X18 WITH WR	1	PC.
031			451601-1	SPACER 24	1	PC.
032			911233-1	PAN HEAD SCREW M5X20	3	PC.
033			455626-7	TOP COVER	1	PC.
034			210062-2	BALL BEARING 607ZZ	1	PC.
035			529146-8	STATOR ASS'Y	1	PC.
		INC.		Item No. 34,57		
036	2		619460-1	* ROTOR	1	PC.
037			911128-8	PAN HEAD SCREW M4X16	2	PC.
038			455628-3	INNER COVER	1	PC.
039	2		620562-8	* CONTROLLER B	1	PC.
040			911128-8	PAN HEAD SCREW M4X16	1	PC.
041			687042-7	STRAIN RELIEF	1	PC.
042			922223-9	H.S.H.BOLT M5X16 WITH WR	2	PC.
043			922241-7	HEX. SOCKET HEAD BOLT M5X25	1	PC.
044			143039-1	MOTOR HOUSING COMPLETE	1	PC.
045			211131-2	BALL BEARING 6001DDW	1	PC.
046			962106-1	RETAINING RING R-28	1	PC.
047			346857-8	GUARD	1	PC.
048			319245-2	RECEIVE WASHER	1	PC.
049			266579-3	HEX SOCKET HEAD BOLT M6X30	2	PC.
050	2		253428-3	SPRING WASHER 6	2	PC.
051			346073-2	PROTECTOR CLAMP	1	PC.
052			413143-3	WASHER	2	PC.
054			346855-2	CUTTER	1	PC.
055			266326-2	TAPPING SCREW 4X18	2	PC.
056			143047-2	PIPE COMPLETE B	1	PC.
		INC.	805V69-9	CAUTION LABEL	1	PC.
		INC.	819312-8	MAKITA LOGO LABEL	1	PC.

Item No.	Type	Sub	Part No.	Description	Qty	Unit
057			213325-5	O RING 19	1	PC.
059			326586-9	* RING 14	1	PC.
C01			877327-1	CARTON F/DUR364LZ	1	PC.
D01			654510-5	INSULATED CONNECTOR 5.5-SD	6	PC.
<u>ACCESSORIES</u>				- See Catalogue or visit www.makita.ca for more accessories information -		
A01			197297-1	BUMP&FEED ECO 4 TRIMMER HEAD ASSY M8X1.25RH	1	PC.
A02			195246-2	SAFETY GOGGLE	1	PC.
A03			195626-2	LOOP HANDLE SET	1	PC.
		INC.	346468-9	CLAMP 33	1	PC.
		INC.	452843-0	CLAMP COVER B	1	PC.
		INC.	922243-3	HEX. SOCKET HEAD BOLT M5X25	2	PC.
	1	INC.	346467-1	CLAMP 24	1	PC.
	2	INC.	347094-7	CLAMP 24	1	PC.
A04			783202-0	HEX. WRENCH 4	1	PC.
A05			783217-7	HEX. WRENCH 5	1	PC.
A06			831304-7	ACCESSORY BAG	1	PC.
A07			-----	LI-ION BATTERY ACCESSORIES		
			450128-8	BATTERY COVER	1	PC.
A08			-----	BATTERY CHARGER		
A09			-----	18V LI-ION BATTERY		
A10			455622-5	PROTECTOR	1	PC.
A11			125516-5	BAND ASSEMBLY (SHOULDER HARNESS)	1	PC.
A12			197472-9	NYLON CORD SPIRAL 2.0-15M	1	PC.

SERVICE CHANGES

1. Addition on Ring 14 onto the Cutter Shaft of Rotor

(TI# A8098)

(TI# B8872)

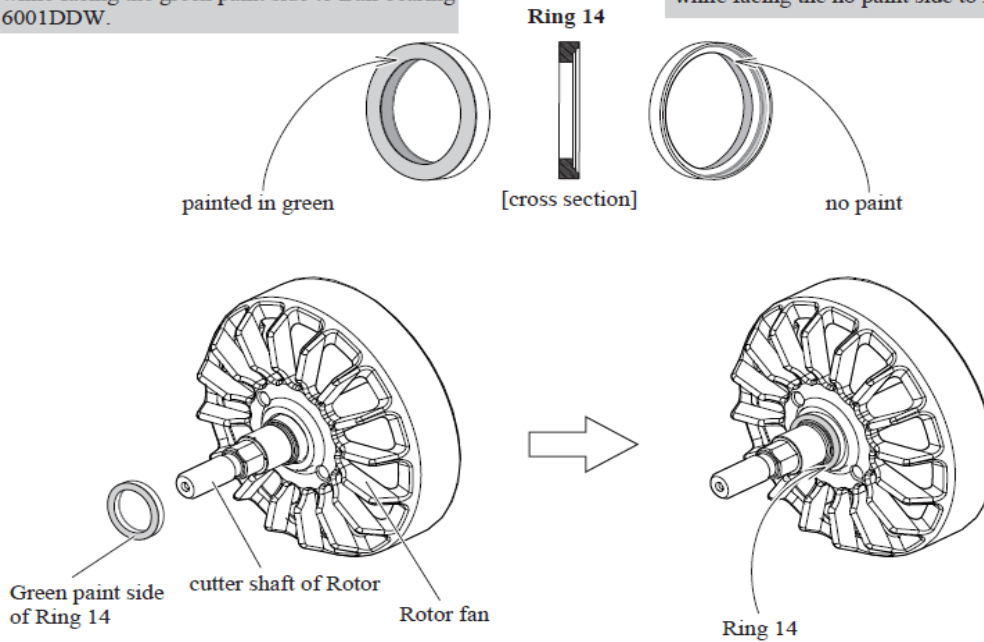
Item No.	Description	Type 1	Type 2
36	ROTER	619360-5	619460-1
59	RING 14	326586-9	-----

Above parts are interchangeable as a set

Type 1

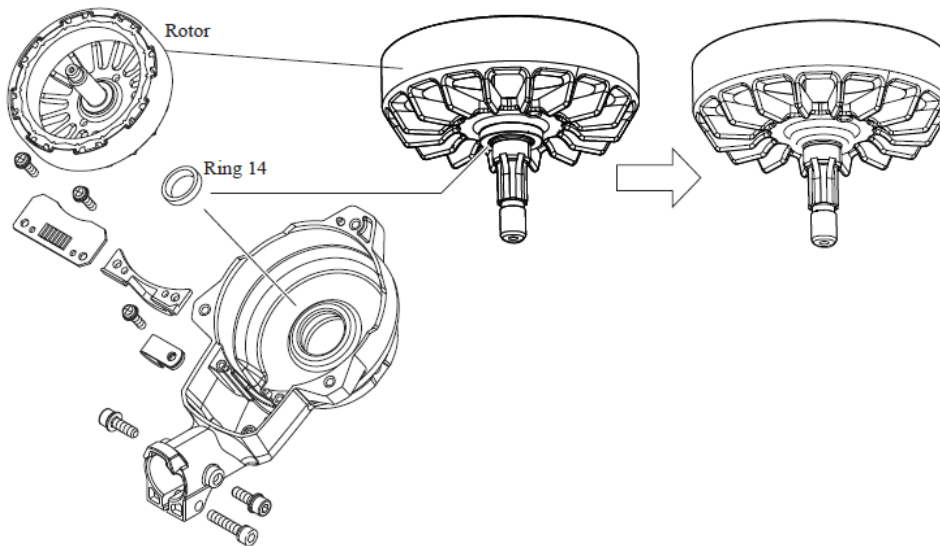
Assemble Ring 14 to the cutter shaft of Rotor while facing the green paint side to Ball bearing 6001DDW.

Assemble Ring 14 to the cutter shaft of Rotor while facing the no paint side to Rotor fan.



Type 1

Type 2



2. Controller complete and Controller B

(TI# B7894)

Item No.	Description	Type 1	Type 2
21	CONTROLLER COMPLETE	143061-8	144367-7
39	CONTROLLER B	620401-2	620562-8